

AU-PF101/HL PAT. UMBRELLA STAND



Material: Frame - 304 Stainless Steel

Finish: Satin

Easy Assembly

Innovative and compact

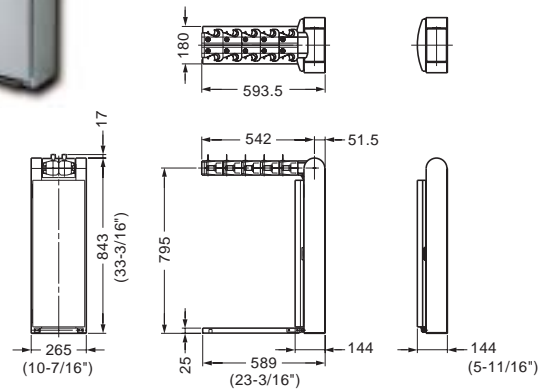
Expandable design makes it easy to store

Individual locks make for easy replacement if damaged

Holds 10 umbrellas

One touch locking system with 360 key changes

Supplied with 2 standard keys and 1 master key



Sold per unit.

Item No.
AU-PF101/HL